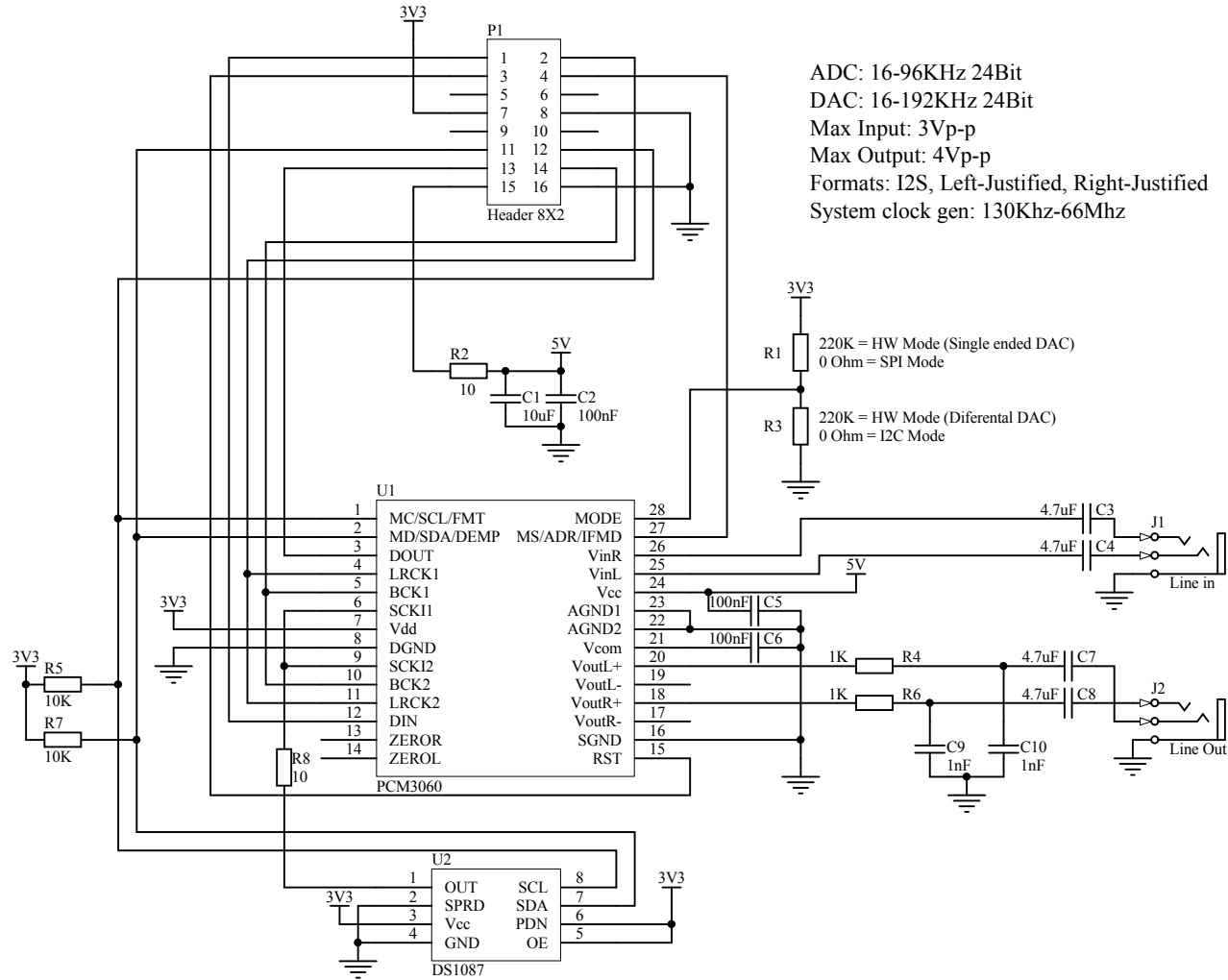


XMOS XC-2 Sound Card



ADC: 16-96KHz 24Bit
 DAC: 16-192KHz 24Bit
 Max Input: 3Vp-p
 Max Output: 4Vp-p
 Formats: I2S, Left-Justified, Right-Justified
 System clock gen: 130Khz-66Mhz

R1 220K = HW Mode (Single ended DAC)
 0 Ohm = SPI Mode
 R3 220K = HW Mode (Diferental DAC)
 0 Ohm = I2C Mode

J1 Line in
 J2 Line Out